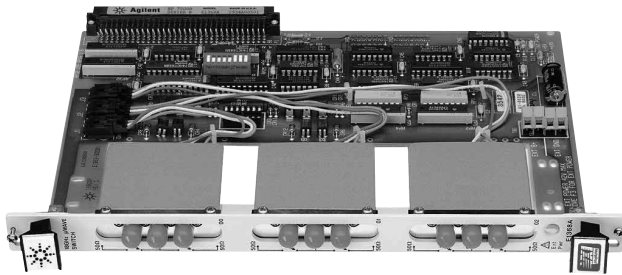


# Agilent E1368A 18 GHz Microwave Switch (3 channels)

## Data Sheet

- 1-Slot, B-size, register based
- Signal switching from dc to 18 GHz
- Three internal SPDT 50  $\Omega$  terminated switches
- Two additional external switches allowed
- High isolation >90 dB provided
- Break-before-make operation



Agilent E1368A

### Description

The Agilent E1368A Microwave Switch is a **B-size, 1-slot, register-based VXI module**. This module, which incorporates the 8762B microwave switch, provides 3-channels of single-pole, double-throw coaxial switching. The three coaxial switches provided have excellent electrical characteristics for transmission systems operating from dc to 18 GHz. The module panels are numbered 00, 01, 02 to indicate the channel numbers of each coaxial switch installed.

The E1368A microwave switch module contains three factory-installed 50  $\Omega$  switches, giving it broad bandwidth, high isolation, and excellent repeatability. The switches can be easily activated from a user's program via SCPI commands.

This module also comes with a 14-pin DIP socket for connecting two additional switches mounted remotely. The coaxial switches always operate in break-before-make fashion and are controlled by a latching solenoid.

Refer to the Agilent Technologies Website for instrument driver availability and downloading instructions, as well as for recent product updates, if applicable.

## Configuration

Each SPDT (Form C) switch has three 3 mm SMA connectors labeled “1” (NC), “2” (NO), and “C” (Common).

These coaxial switches always operate in break-before-make fashion and are controlled by a latching solenoid. Internal coil contacts open and remove coil voltage after a switching operation to minimize the amount of heat dissipated near the switch. When a coil is energized and a switching operation occurs, a pivot armature in the microwave switch also operates both sets of contacts, either closing the switch or connecting it to the 50  $\Omega$  termination, so that a 50  $\Omega$  match is always maintained.

## Product Specifications

---

<b>Frequency:</b>	dc to 18 GHz
<b>Ports:</b>	3
<b>Internal termination:</b>	Terminated
<b>Insertion loss (dB):</b>	<0.20 to 2 GHz <0.25 to 4 GHz <0.50 to 18 GHz
<b>SWR (into termination or through line):</b>	<1.1 to 2 GHz <1.2 to 4 GHz <1.3 to 18 GHz
<b>Isolation (dB):</b>	>90 to 18 GHz
<b>Life and repeatability (typical):</b>	10 <sup>6</sup> cycles 0.03 dB
<b>Power (peak power is nonswitching):</b>	1 Watt average 100 Watts peak (+ 7 Vdc)
<b>Switching speed:</b>	30 ms
<b>RF connectors:</b>	SMA (female)
<b>Switching dwell time:</b>	35 ms
<b>Driver output voltage:</b>	5 V or 12 V
<i>Control circuit can switch max 1 A per switch. Max current also depends on output capability of the mainframe.</i>	
<b>Maximum external energizing voltage:</b>	30 V

## General Specifications

---

### VXI Characteristics

<b>VXI device type:</b>	Register based, A16, slave only
<b>Size:</b>	B
<b>Slots:</b>	1
<b>Connectors:</b>	P1
<b>Shared memory:</b>	None
<b>VXI busses:</b>	None
<b>C-size compatibility:</b>	Requires E1403C

---

### Instrument Drivers

See the Agilent Technologies Website ([http://www.agilent.com/find/inst\\_drivers](http://www.agilent.com/find/inst_drivers)) for driver availability and downloading.

<b>Command module firmware:</b>	Downloadable
<b>Command module firmware rev:</b>	A.01
<b>I-SCPI Win 3.1:</b>	Yes
<b>I-SCPI Series 700:</b>	Yes
<b>C-SCPI LynxOS:</b>	Yes
<b>C-SCPI Series 700:</b>	Yes
<b>Panel Drivers:</b>	Yes
<b>VXI plug&amp;play Win Framework:</b>	Yes
<b>VXI plug&amp;play Win 95/NT Framework:</b>	Yes
<b>VXI plug&amp;play HP-UX Framework:</b>	No

### Module Current

	$I_{PM}$	$I_{DM}$
+5 V:	1.3	0.01
+12 V:	0	0
-12 V:	0	0
+24 V:	0	0
-24 V:	0	0
-5.2 V:	0	0
-2 V:	0	0

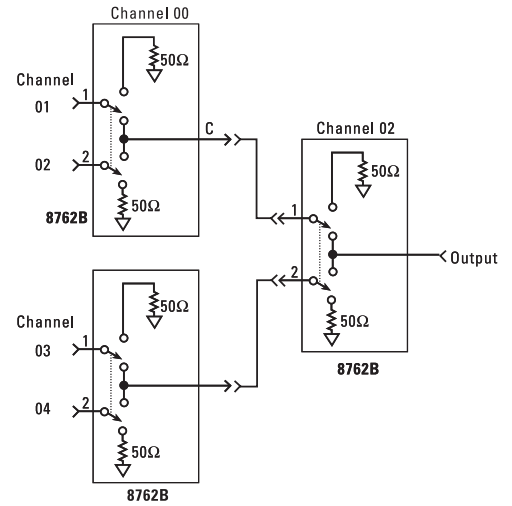
### Cooling/Slot

Watts/slot:	5.00
$\Delta P$ mm H <sub>2</sub> O:	0.08
Air Flow liter/s:	0.42

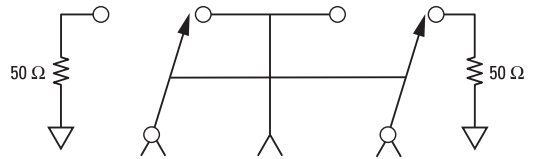
### Ordering Information

Description	Product No.
18 GHz Microwave Switch	E1368A
Drive Cable, 40 GHz Attn 14pin DIP 16in	11764D

### 4x1 MW Switch



4 x 1 Microwave Switch Example



Agilent E1368A/E1369A/E1370A Drive Circuits

## Related Literature

*2000 Test System and VXI Catalog CD-ROM,*  
Agilent Pub. No. 5980-0308E (detailed specifications for VXI products)

*2000 Test System and VXI Catalog,*  
Agilent Pub. No. 5980-0307E (overview of VXI products )

*1998 Test System and VXI Products Data Book,*  
Agilent Pub. No. 5966-2812E

## Online

Internet access for Agilent product information, services and support  
[www.agilent.com/find/tmdir](http://www.agilent.com/find/tmdir)

VXI product information  
[www.agilent.com/find/vxi](http://www.agilent.com/find/vxi)

Defense Electronics Applications  
[www.agilent.com/find/defense\\_ATE](http://www.agilent.com/find/defense_ATE)

Agilent Technologies VXI Channel Partners  
[www.agilent.com/find/vxichanpart](http://www.agilent.com/find/vxichanpart)

Agilent Technologies' HP VEE Application Website  
[www.agilent.com/find/vee](http://www.agilent.com/find/vee)

Agilent Technologies Data Acquisition and Control Website  
[www.agilent.com/find/data\\_acq](http://www.agilent.com/find/data_acq)

Agilent Technologies Instrument Driver Downloads  
[www.agilent.com/find/inst\\_drivers](http://www.agilent.com/find/inst_drivers)

Agilent Technologies Electronics Manufacturing Test Solutions  
[www.agilent.com/go/manufacturing](http://www.agilent.com/go/manufacturing)

**Get assistance with all your test and measurement needs at**  
[www.agilent.com/find/assist](http://www.agilent.com/find/assist)  
**or check your local phone book for the Agilent office**  
**near you.**

## Agilent Technologies' test and measurement service/support commitment

Agilent strives to maximize the value our test and measurement products give you, while minimizing your risk and service/support problems. We work to ensure that each product is realistically described in the literature, meets its stated performance and functionality, has a clearly stated global warranty, and is supported at least five years beyond its production life. Our extensive self-help tools include many online resources ([www.agilent.com](http://www.agilent.com)).

Experienced Agilent test engineers throughout the world offer practical recommendations for product evaluation and selection. After you purchase an Agilent product, they can provide no-charge assistance with operation verification and basic measurement setups for advertised capabilities. To enhance the features, performance, and flexibility of your test and measurement products—and to help you solve application challenges—Agilent offers free or extra-cost product options and upgrades, and sell expert engineering, calibration, and other consulting services.

## Phone or Fax

**United States:**  
(tel) 1 800 829 4444

**Canada:**  
(tel) 1 877 894 4414  
(fax) (905) 282 6495

**China:**  
(tel) 800 810 0189  
(fax) 800 820 2816

**Europe:**  
(tel) (31 20) 547 2323  
(fax) (31 20) 547 2390

**Japan:**  
(tel) (81) 426 56 7832  
(fax) (81) 426 56 7840

**Korea:**  
(tel) (82 2) 2004 5004  
(fax) (82 2) 2004 5115

**Latin America:**  
(tel) (305) 269 7500  
(fax) (305) 269 7599

**Taiwan:**  
(tel) 0800 047 866  
(fax) 0800 286 331

**Other Asia Pacific Countries:**  
(tel) (65) 6375 8100  
(fax) (65) 6836 0252  
(e-mail) [tm\\_asia@agilent.com](mailto:tm_asia@agilent.com)

Data Subject to Change  
© Agilent Technologies, Inc. 2000  
Printed in the U.S.A. May 1, 2004  
5965-5596E

